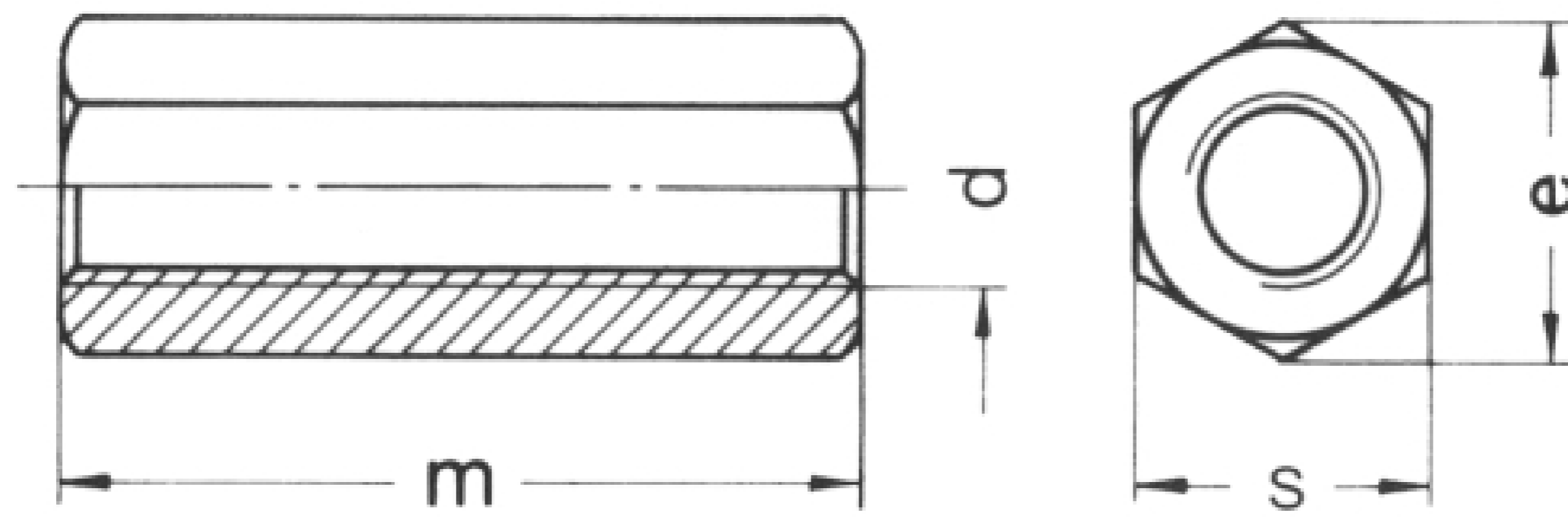


Din 6334 Download



DOWNLOAD: <https://blytly.com/29x5da>

Download

7c2bc87b77

[Mehboobamovieintorrentdownload](#)
[Jagathala Prathapan Tamil Movie Songs Free Download](#)
[Rogue movie in italian dubbed download](#)
[crack autocad 2013.64 bit x-force comics](#)
[linotype gold edition 2.0.warez-hb](#)

[Opera Browser v8.65.S60.SymbianOS7.Cracked-BiNPDA](#)
[The Tick song free download](#)
[pfs.dos.2000.serial.21](#)
[american.pie.4.sex](#)
[No Smoking 2 Full Movie Free Download Utorrent](#)